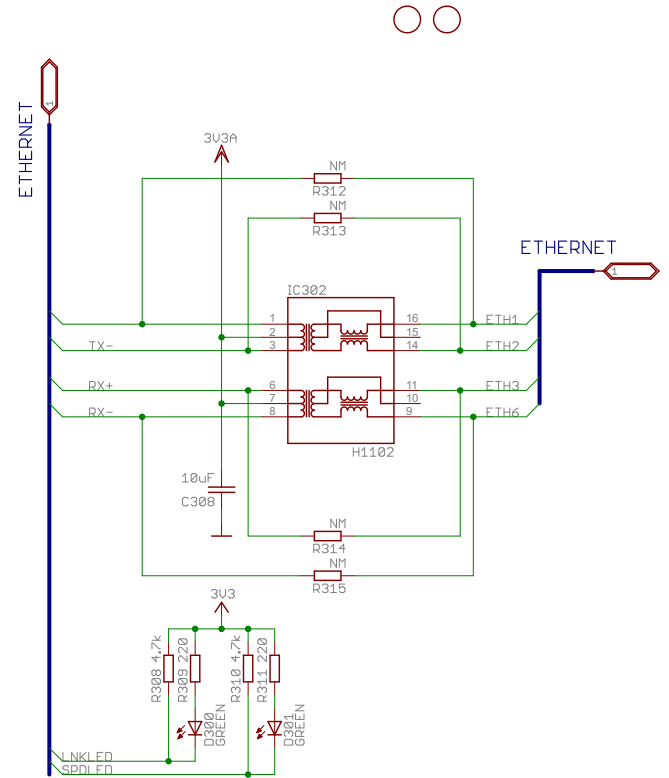
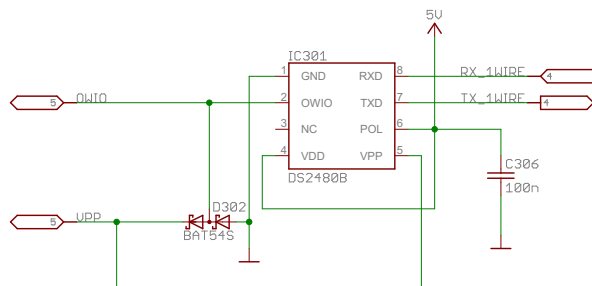
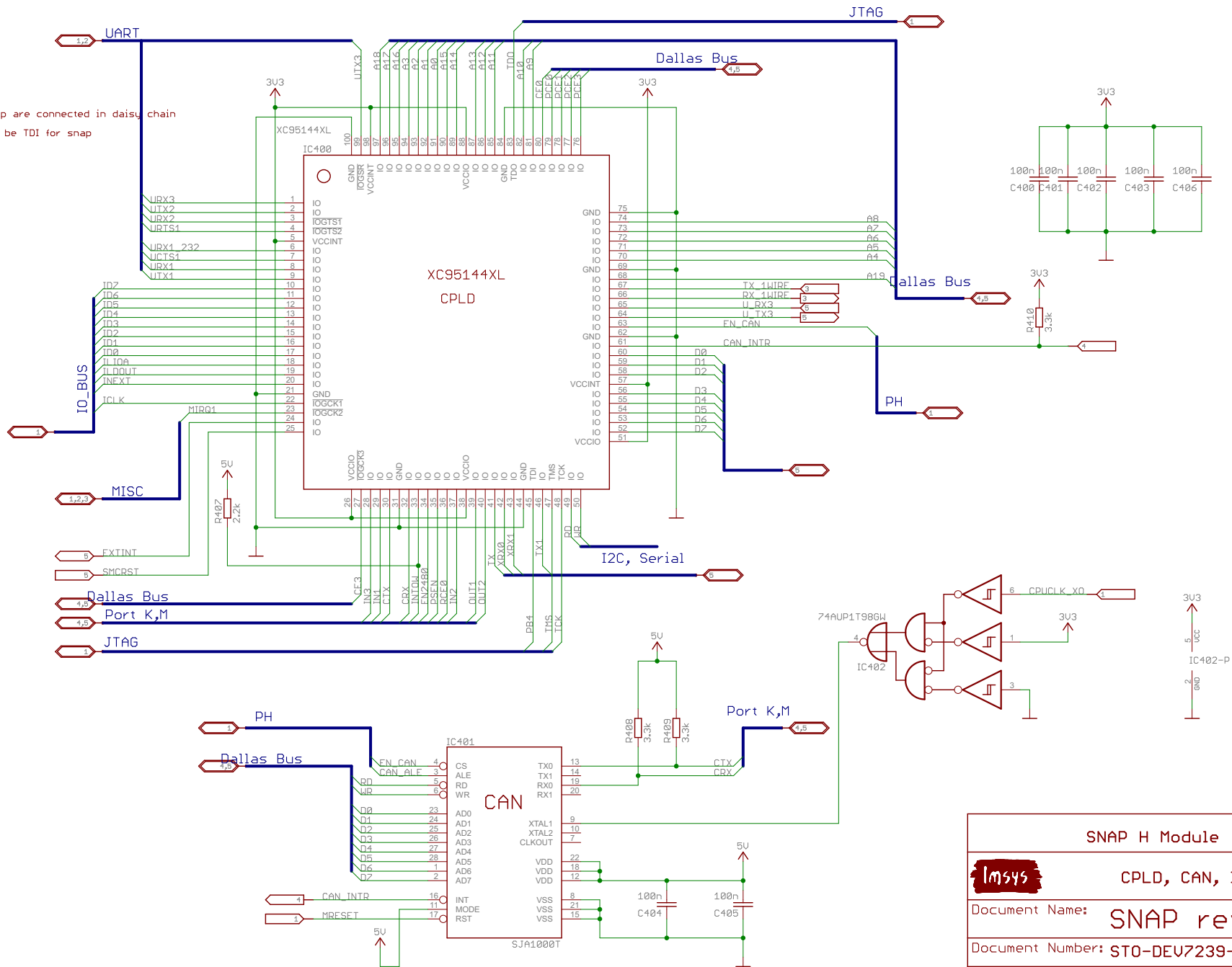


| | |
|---------------------------------|------------|
| SNAP H Module | |
| lms4s | RS232 |
| Document Name: SNAP revH | |
| Document Number: ST0-DEU7239-JB | REV: A |
| Date: 2013-07-08 12:40 | Sheet: 2/6 |

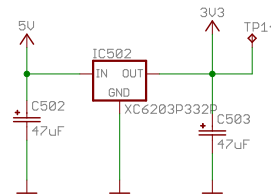
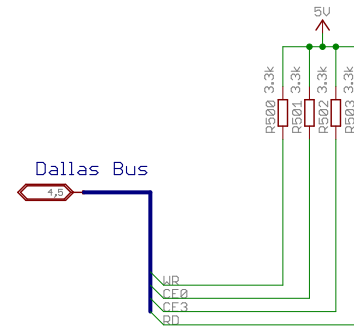
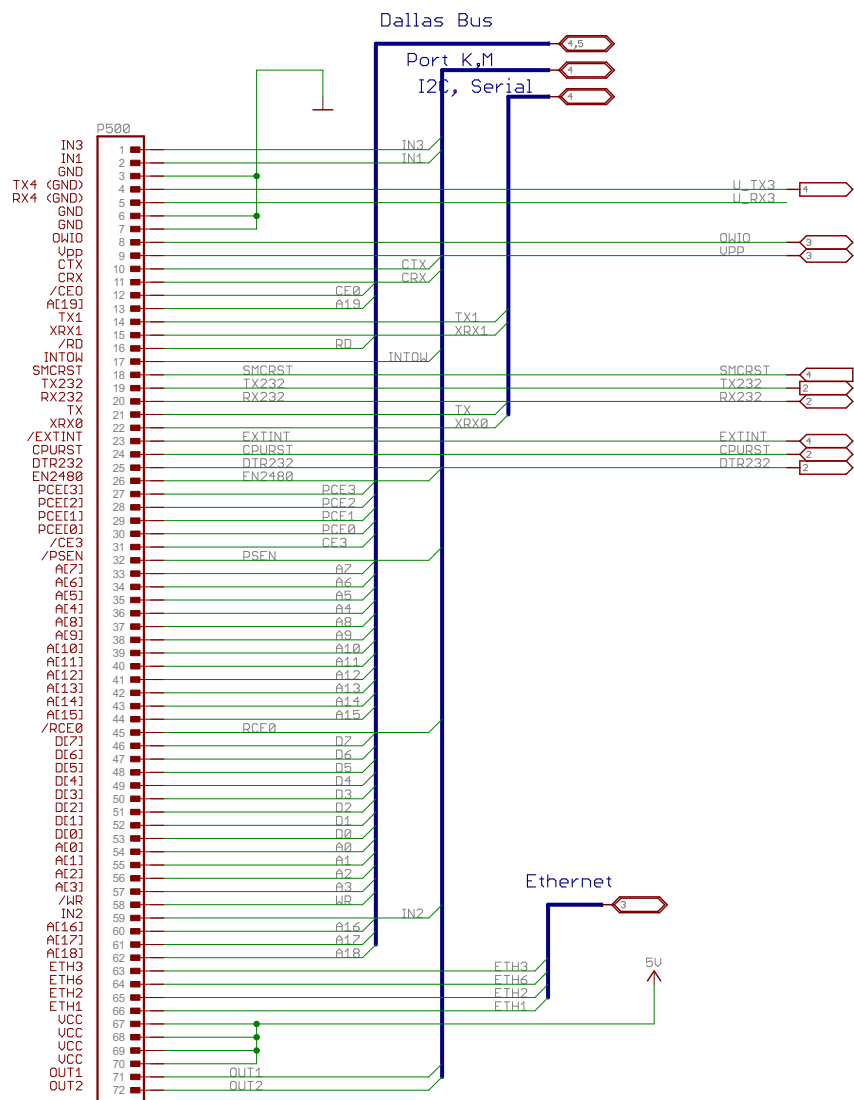


| | |
|----------------------------------|------------|
| SNAP H Module | |
| lms4s Magnetics, One Wire | |
| Document Name: SNAP revH | |
| Document Number: STO-DEU7239-JB | REV: A |
| Date: 2013-07-08 12:40 | Sheet: 3/6 |

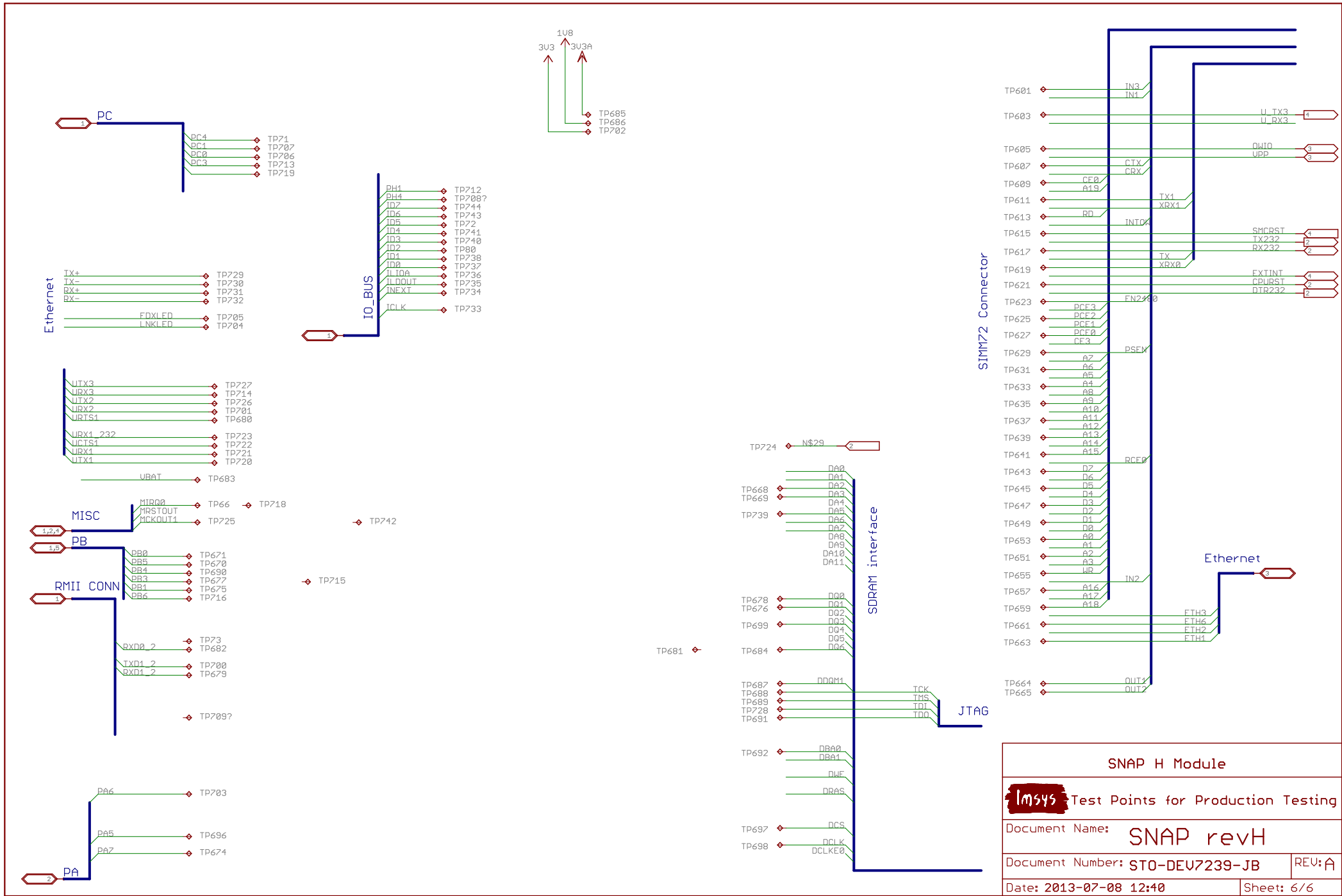
CPLD on velox and snap are connected in daisy chain
 TDO(PB4)of velox would be TDI for snap



| | |
|---------------------------------|----------------|
| SNAP H Module | |
| lms45 | CPLD, CAN, I2C |
| Document Name: SNAP revH | |
| Document Number: STO-DEU7239-JB | REV: A |
| Date: 2013-07-08 12:40 | Sheet: 4/6 |



| | |
|---------------------------------------|------------|
| SNAP H Module | |
| lms4s SOSIMM 72 Edge Connector | |
| Document Name: SNAP revH | |
| Document Number: STO-DEU7239-JB | REV: A |
| Date: 2013-07-08 12:40 | Sheet: 5/6 |



| | |
|---|------------|
| SNAP H Module | |
| lms4s Test Points for Production Testing | |
| Document Name: SNAP revH | |
| Document Number: STO-DEU7239-JB | REV: A |
| Date: 2013-07-08 12:40 | Sheet: 6/6 |